

Our Nozzle Boots **NB-GG** and **NB-ZVG** for LPGas dispensers are a simple and neat solution to the housing of all nozzles in the GasGuard and ZVG range.

The Nozzle Boots are easy to mount and are made of a robust single piece casting of AlSi12 aluminium. Due to zoning restrictions within the dispenser, the Nozzle Boots are completely enclosed so that no residual LPGas present in the nozzle is able to enter into the housing of the dispenser.

A Reed contact switch can be attached to the rear side of the booth, by the original equipment manufacturer.

On the front side there is the possibility to attach a lock to secure the nozzle.

Depending on the nozzle type, please choose:

**'NB-GG'** for GasGuard nozzles  
GG1, GG20, GG30

**'NB-ZVG'** for ZVG nozzles  
ZVG 1, ZVG 2 ACME, ZVG 2 DISH, ZVG 2 EURO

– Relevant dimensions see overleaf –

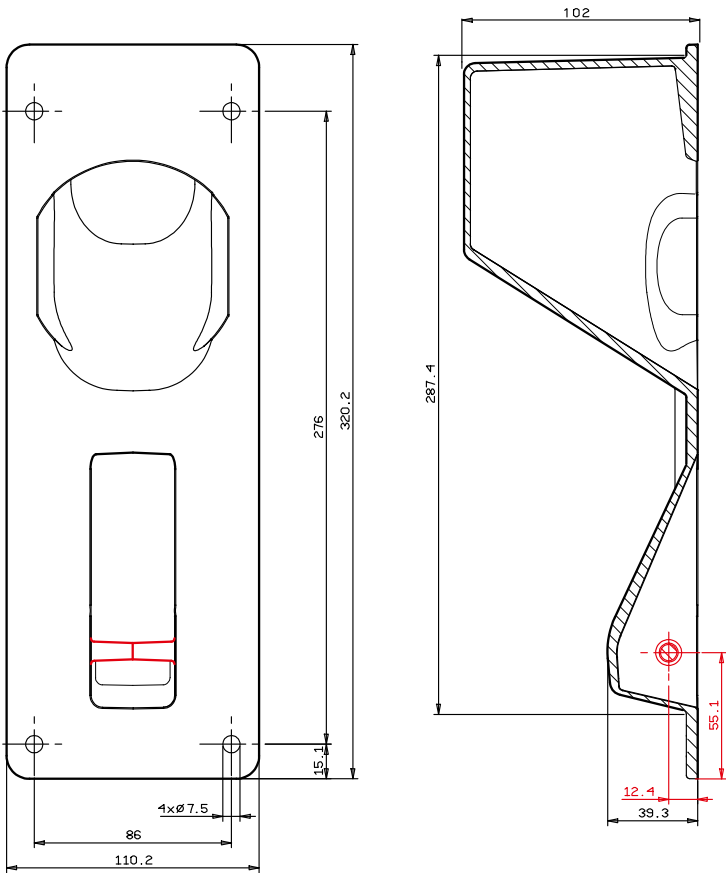


**NB-GG**  
with GG1 nozzle



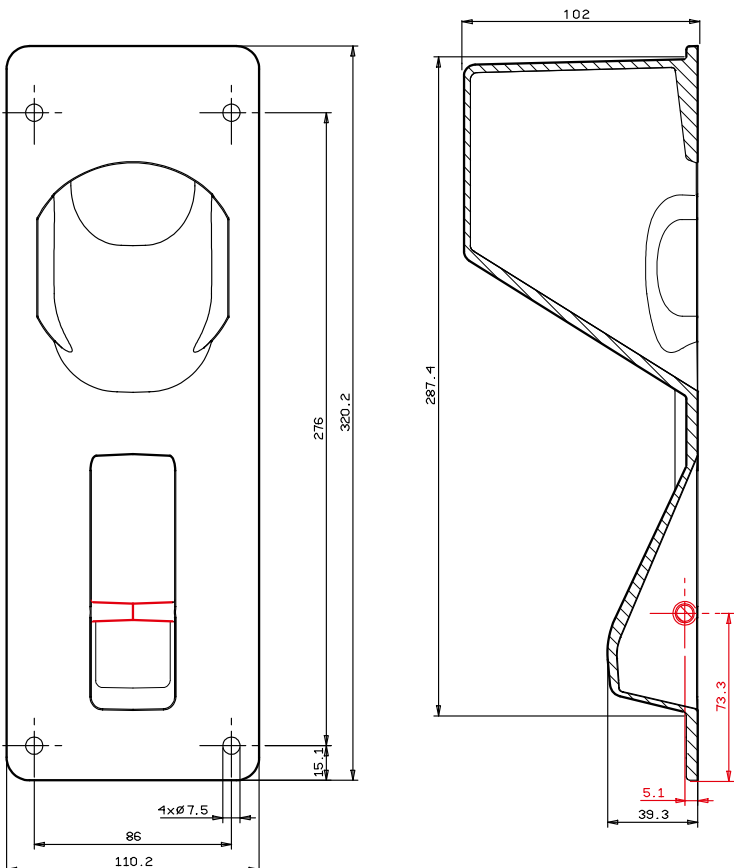
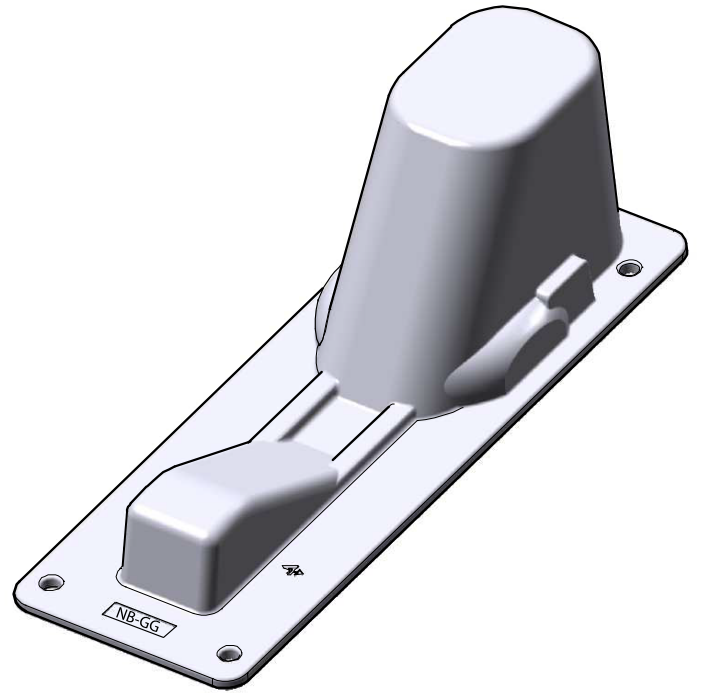
**NB-ZVG**  
with ZVG 2 EURO nozzle

**Measurements:**



**NB-GG**

f. GG1E, GG1DN, GG20, GG30



**NB-ZVG**

f. ZVG 1, ZVG 2 ACME, ZVG 2 DISH, ZVG 2 EURO

